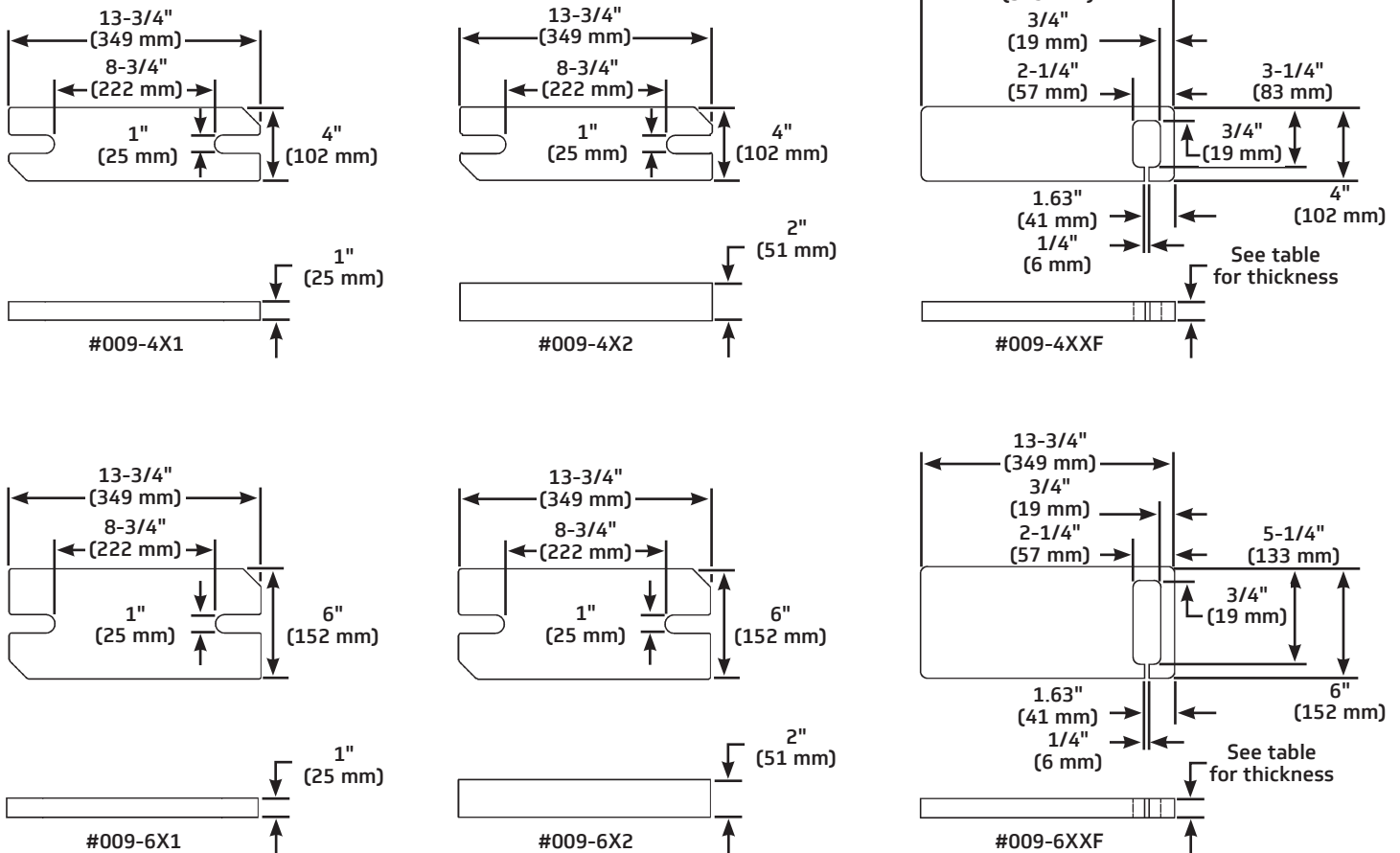


# Counterweights

- Used in arbors to counterbalance the weight of the batten and scenery or lights
- Weights are flame-cut steel
- Opposite corners have 45° notches to provide finger grips
- 13-3/4" (349 mm) length, with slotted ends for 3/4" (19 mm) diameter arbor rods spaced on 10" (254 mm) centers
- Sold in 1000 lb (454 kg) pallets
- Actual weight can vary by ± 20% from the nominal weight
- Three-year warranty against defects in materials or workmanship is provided on all J.R. Clancy equipment, additional warranty information is available at jrclancy.com



## Dimensions



## Order Information

Number	Width	Nominal Thickness	Nominal Weight	Number	Width	Nominal Thickness	Nominal Weight
009-4X1	4" (102 mm)	1" (25 mm)	14 lb (6 kg)	009-6X1	6" (152 mm)	1" (25 mm)	22 lb (10 kg)
009-4X2	4" (102 mm)	2" (51 mm)	28 lb (13 kg)	009-6X2	6" (152 mm)	2" (51 mm)	43 lb (19.5 kg)
009-4X0.5F	4" (102 mm)	1/2" (13 mm)	7 lb (3 kg)	009-6X0.5F	6" (152 mm)	1/2" (13 mm)	11 lb (5 kg)
009-4X1F	4" (102 mm)	1" (25 mm)	15 lb (7 kg)	009-6X1F	6" (152 mm)	1" (25 mm)	22 lb (10 kg)
009-4X1.5F	4" (102 mm)	1-1/2" (38 mm)	22 lb (10 kg)	009-6X1.5F	6" (152 mm)	1-1/2" (38 mm)	32 lb (14.5 kg)

